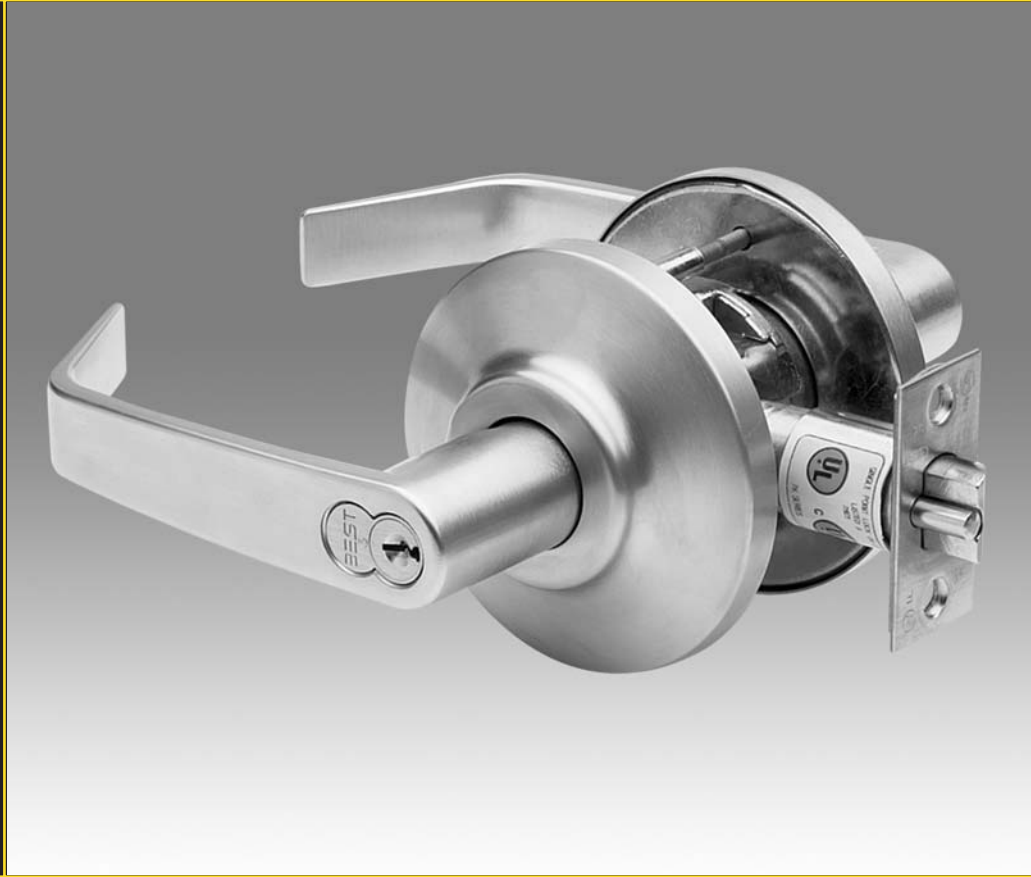


**STANLEY**<sup>®</sup>

Security Solutions

CYLINDRICAL LOCKS



# 7KC SERIES

MEDIUM DUTY LOCKS - LEVERS

Distributed By

**DHPACE**  
Everything Doors Since 1926

DH Pace National Key Service Center  
855-237-3667  
BestSolutions@dhpac.com  
DHPace.com/BestSolutions

**STANLEY**  
**BEST**<sup>®</sup>  
ACCESS SYSTEMS

## TABLE OF CONTENTS

|                                     | Page | Page                            |   |
|-------------------------------------|------|---------------------------------|---|
| Features .....                      | 2    | Strikes & Door Preparation..... | 5 |
| Specifications .....                | 2    | Service Equipment .....         | 6 |
| Functions .....                     | 3    | How To Order .....              | 7 |
| Sample Specifications .....         | 4    | Lever Styles & Trim .....       | 7 |
| Patented Keying .....               | 4    | Shipping Weights .....          | 7 |
| Deadlocking Latches & Strikes ..... | 5    |                                 |   |



7KC Lockset



Products protected by one or more of the following patents:  
4,843,852      D,290,085      4,930,822

## FEATURES

- Versatile trims & finishes available.
- Cylindrical chassis to fit common door preparation.
- Standard and Drive-in latches available.
- Through-bolt mounting studs increase torque resistance.
- Quick rekeying with BEST interchangeable core.
- No exposed keeper hole on keyed units for increased security.
- Hub torque spring provides extra resistance to lever sag.
- Snap-on inside rose (no exposed mounting screws).
- Keyed lever is removable only after removal of core.
- Internal steel mechanisms are corrosion treated for normal atmospheric conditions.
- ADA compliance title III.
- Lockset reversible for either hand of door without removing keyed lever.
- Listed by Underwriters Laboratories for use on 3 hour, A label single swinging doors (4' x 8').
- Certification— This product is listed in BHMA Directory of Certified Locks and Latches as conforming to ANSI A156.3, Grade 2. California Administrative Code Title 19 and 24. Illinois Accessibility Standard.

## SPECIFICATIONS

**Backset**— 2 <sup>3</sup>/<sub>8</sub>" for 72KC Series; 2 <sup>3</sup>/<sub>4</sub>" for 73KC Series; 3 <sup>3</sup>/<sub>4</sub>" for 74KC Series; 5" for 75KC Series.

**Finishes**— 605— bright brass, 606— satin brass, 612— satin bronze, 613— oxidized satin bronze, oil rubbed, 625— bright chromium plated, 626— satin chromium plated

**Interchangeable core**— Solid brass, pin-tumbler type in lever with 7-pin core. Best Patented Keying System optional.

**Latch**— <sup>1</sup>/<sub>2</sub>" throw deadlocking latch. Front: 2 <sup>1</sup>/<sub>4</sub>" x 1 <sup>1</sup>/<sub>8</sub>" x <sup>5</sup>/<sub>32</sub>" standard for 2 <sup>3</sup>/<sub>4</sub>" backset; 2 <sup>1</sup>/<sub>4</sub>" x 1" x <sup>5</sup>/<sub>32</sub>" for 2 <sup>3</sup>/<sub>8</sub>" backset.

**Lever**— 5 <sup>1</sup>/<sub>4</sub>" long handle with return. Projection on door 2 <sup>1</sup>/<sub>2</sub>". Zinc base, plated to match finish.

**Material**— Component parts include brass, bronze or zinc. Internal parts are zinc dichromated steel.

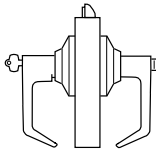
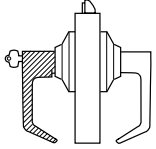
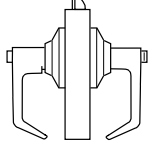
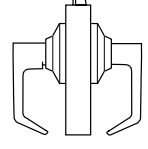
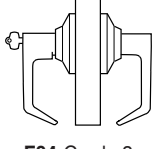
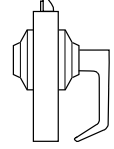
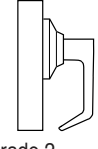
**Mounting**— 2 <sup>1</sup>/<sub>8</sub>" diameter bore for lock housing, 1" diameter for latch tube.

**Rose**— D— 3 <sup>1</sup>/<sub>2</sub>" diameter mounting screws concealed.

**Strike**— STK (standard)— 2 <sup>3</sup>/<sub>4</sub>" x 1 <sup>1</sup>/<sub>8</sub>" with curved lip & box. (ANSI A115.2 for 1 <sup>3</sup>/<sub>8</sub>" doors). S3— 4 <sup>7</sup>/<sub>8</sub>" x 1 <sup>1</sup>/<sub>4</sub>" with curved lip & box. (ANSI A115.2 for 1 <sup>3</sup>/<sub>4</sub>" doors).

**Door thickness**— 1 <sup>3</sup>/<sub>8</sub>" to 2".

**NOTE:** When a heavy duty cylindrical lockset is required, our heavy duty 9K series is recommended.

| Function & Diag.<br>ANSI No. Grade  | Description  | Outside Lever  |  | Inside Lever     |                 |
|---|--|--|--|------------------|-----------------|
|   |  | Latched by   | Locked by  | Unlocked by      | Locked by       |
| <b>Single Keyed</b>   |  |  |  |                  |                 |
| <b>AB-Entry</b><br><br><b>F109-Grade 2</b>     | <ul style="list-style-type: none"> <li>Rotating inside lever, OR</li> <li>Rotating outside lever—only when inside push button is out, OR</li> <li>Turning key in outside lever.</li> </ul>                 | <ul style="list-style-type: none"> <li>Pushing inside button, OR</li> <li>Pushing and turning the inside button. Turning the button keeps the outside lever locked until the button is turned back.</li> </ul> | <ul style="list-style-type: none"> <li>Turning the key in the outside lever, (only when the button is not turned) OR</li> <li>Rotating the inside lever (only when the button is not turned) OR</li> <li>Closing the door (only when the button is not turned).</li> </ul> | Cannot be locked | Always unlocked |
| <b>D-Storeroom</b><br><br><b>F86-Grade 2</b>   | <ul style="list-style-type: none"> <li>Turning key in the outside lever, OR</li> <li>Rotating inside lever</li> </ul>  | Always locked  | Cannot be unlocked   | Cannot be locked | Always unlocked |
| <b>L-Privacy</b><br><br><b>F76-Grade 2</b>     | <ul style="list-style-type: none"> <li>Rotating inside lever, OR</li> <li>Rotating outside lever—only when inside push button is out.</li> </ul>   | Pushing inside button  | <ul style="list-style-type: none"> <li>Rotating the outside slotted button, OR</li> <li>Rotating the inside lever, OR</li> <li>Closing the door.</li> </ul>  | Cannot be locked | Always unlocked |
| <b>N-Passage</b><br><br><b>F75-Grade 2</b>   | <ul style="list-style-type: none"> <li>Rotating inside lever, OR</li> <li>Rotating outside lever.</li> </ul>   | Cannot be locked   | Always unlocked  | Cannot be locked | Always unlocked |
| <b>R-Classroom</b><br><br><b>F84-Grade 2</b> | <ul style="list-style-type: none"> <li>Rotating inside lever, OR</li> <li>Turning key in outside lever when outside lever is locked, OR</li> <li>Rotating outside lever when not locked by key.</li> </ul> | Turning key in outside lever   | Turning key in outside lever   | Cannot be locked | Always unlocked |
| <b>Y-Exit</b><br><br>Grade 2                 | Rotating the inside lever  | No outside lever-Blank rose  | No outside lever-Blank rose  | Cannot be locked | Always unlocked |
| <b>1DT-Single Dummy Trim</b><br><br>Grade 2  | This is a single, surface-mounted lever for an inactive door or a non-latching door  |  |  |                  |                 |

## ACCEPTABLE MANUFACTURERS

### A. Locksets and Latchsets

Best Access Systems - No Substitution.

1. Locksets must be medium-duty cylindrical type with 2 <sup>3</sup>/<sub>8</sub> inch backset, or greater as specified, with a 1/2 inch throw latchbolt.
2. Provide locksets with Best 7-pin interchangeable core.
3. Locksets and latchsets must conform to ANSI A156.2, Series 4000, Grade 2, and be UL listed.
4. Locksets and cores to be of the same manufacturer to maintain complete lockset warranty.
5. Locks to have solid shank with no opening for access to keyed lever keeper.
6. Keyed lever to be removable only after core is removed, by authorized control key, to allow access to lever "keeper".
7. Permanent core face must be the same finish as the lockset finish.
8. Levers must be zinc material with a minimum wall thickness of .060.

### B. Keys and Keying

- A. Provide construction cores and keys during the construction period. Construction, control and operating keys and cores shall not be part of the Owner's permanent keying system or furnished on the same keyway as the Owner's permanent keying system. Permanent cores and keys prepared according to the accepted keying schedule will be furnished to the Owner by the local Best Access Systems office prior to occupancy. The Owner or Owner's agent will install permanent cores and return the construction cores to the Best Access Systems office.
- B. All cylinders shall be Best 7-pin, interchangeable core and keyed into a [new] [existing] factory registered Grand Master Key System with a restricted keyway.
- C. Permanent keys and cores shall be stamped with the applicable key mark for identification. These visual key control marks or codes will **not** include the actual key cuts. Permanent keys will also be stamped ["Do Not Duplicate"]. ["U.S. Gov.-Do Not Duplicate"]. [ \_\_\_\_\_ .]
- D. Grand Masterkeys, Masterkeys and other Security Keys shall be transmitted to the Owner by U.P.S., delivery confirmation requested.
- E. Furnish keys in the following quantities:
 

|        |                                |
|--------|--------------------------------|
| 1 each | Grand Masterkey                |
| 2 each | Masterkeys per set             |
| 1 each | Change key per each keyed core |
| 2 each | Construction masterkeys        |
| 2 each | Control keys                   |
- F. Computer key and core control software Best Access System Keystone® 600 will be provided and registered to the owner by the local Best Access Systems office. The owner will furnish compatible hardware to operate the key and core control program. The Best Access Systems office will provide initial training on computer key and core control as well as on-going support including software updates.

## PATENTED KEYING



**BEST Peaks®  
Patented Keying**

**BEST Peaks®** – For advanced solutions in key control and security, BEST offers Peaks®, the most adaptable and cost effective patented keying system on the market. The patented mechanism ensures that cylinders and cores will only operate with the Peaks® keys, which are only available through authorized BEST distributors.

For BEST products, Peaks® offers the security and convenience of a patented solution for interchangeable core. Peaks® is also available to adapt to a wide variety of locks from other manufacturers. All cylinders can be keyed into the same system, providing you the ability to operate all the locks at your facility using a single key, regardless of the lock manufacturer.

## DEADLOCKING LATCHES & STRIKES



**72KCL2 Deadlocking Latch**  
 Bolt throw— $\frac{1}{2}$ "  
 Backset— $2\frac{3}{8}$ "  
 Front— $2\frac{1}{4}$ " x 1" beveled.  
 Tube— To fit 1" diameter hole in door edge  
**To order:** (with unit) designate "72KC" (Page 7)  
**To order:** (without unit) designate "72KCL2"



**73KCL3 Deadlocking Latch**  
 Bolt throw— $\frac{1}{2}$ "  
 Backset— $2\frac{3}{4}$ "  
 Front— $2\frac{1}{4}$ " x  $1\frac{1}{8}$ " beveled  
 Tube— To fit 1" diameter hole in door edge  
**To order:** (with unit) designate "73KC" (Page 7)  
**To order:** (without unit) designate "73KCL3"



**64KL4 Deadlocking Latch**  
 Bolt throw— $\frac{1}{2}$ "  
 Backset— $3\frac{3}{4}$ "  
 Front— $2\frac{1}{4}$ " x  $1\frac{1}{8}$ " beveled.  
 Tube— To fit 1" diameter hole in door edge  
**To order:** (with unit) designate "64K" (Page 7)  
**To order:** (without unit) designate "64KL4"



**65KL5 Deadlocking Latch**  
 Bolt throw— $\frac{1}{2}$ "  
 Backset— 5"  
 Front— $2\frac{1}{4}$ " x  $1\frac{1}{8}$ " beveled  
 Tube— To fit 1" diameter hole in door edge  
**To order:** (with unit) designate "65K" (Page 7)  
**To order:** (without unit) designate "65KL5".



6KS2

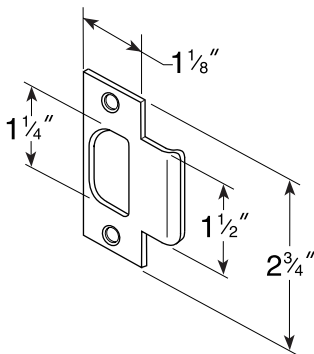
**6KS2 Strike (Supplied Standard)**  
**Dimension:** Conforms to ANSI A115.2 for  $1\frac{3}{8}$ " doors ( $2\frac{3}{4}$ " x  $1\frac{1}{8}$ " with curved lip and box).  
**To order:** (with unit) designate "STK" (page 7).  
**To order:** (without unit) designate 6KS2 and finish.



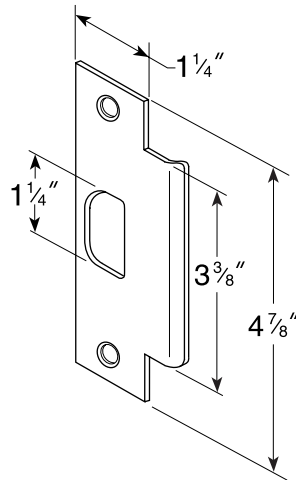
6KS3

**6KS3 Strike (ANSI Strike)**  
**Dimension:** Conforms to ANSI A115.2 for  $1\frac{3}{4}$ " doors ( $4\frac{7}{8}$ " x  $1\frac{1}{8}$ " with curved lip)  
**To order:** (with unit) designate "S3" (page 7)  
**To order:** (without unit) designate 6KS3 and finish

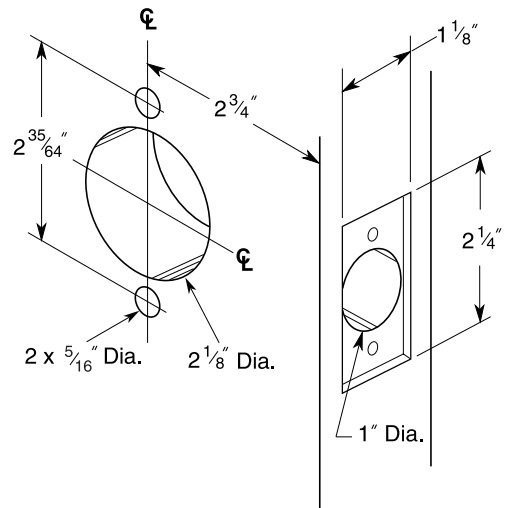
## STRIKES & DOOR PREPARATION



STK strike (standard)



S3 strike



$2\frac{3}{4}$ " door preparation with through-bolt mountings

## CYLINDRICAL LOCKS SERVICE EQUIPMENT

## KD303 THROUGH-BOLT DRILL JIG



KD303

Special accessory jig aids in aligning  $\frac{5}{16}$ " holes for through-bolt mounting. Install latch first, then insert jig in  $2\frac{1}{8}$ " bored hole, align with door edge and drill with  $\frac{5}{16}$ " drill bit. A **KD303** drill jig is included in every 9 locksets ordered. Additional jigs are available upon request.

**To order:** designate **KD303**.

## KD304A BORING JIG KITS

KD304A  
(Complete kit)

The **KD304A** jig kit is made for boring cut outs in wooden doors for ANSI A156.2 series cylindrical/tubular locksets, doors  $1\frac{3}{8}$ " to  $2\frac{1}{4}$ " thick. The **KD304A** kit includes the boring jig (to drill wood doors for  $2\frac{3}{8}$ ",  $2\frac{3}{4}$ ",  $3\frac{3}{4}$ " and 5" backsets), adapter for  $\frac{3}{8}$ " drill chuck, **KD309**:  $2\frac{1}{8}$ " bit, **KD318**: 1" dia. x 9" bit, **KD312**: face plate marking chisel 1", **KD315**: face plate marking chisel  $1\frac{1}{8}$ ", and the **KD325**: strike plate locating pin.

**To order:** complete kits specify **KD304A Kit**. All of the individual kit parts listed above may be ordered separately except for the adapter chuck and jig.

KD312 & KD315 FACE PLATE MARKING CHISEL  
KD325 PLATE LOCATING PIN

KD315






KD325

The **KD312** faceplate marking chisel locates the mortising for the face plate of Federal Spec 160 ( $1" \times 2\frac{1}{4}"$ ) Cylindrical lockset. The **KD315** faceplate marking chisel locates the mortising for the faceplate of ANSI A156.2 ( $1\frac{1}{8}" \times 2\frac{1}{4}"$ ) cylindrical lockset. A strike plate locating pin **KD325** is available for use in conjunction with ANSI A156.2 cylindrical locksets.

**To order:** designate **KD312** faceplate marking chisel (1"), **KD315** faceplate marking chisel ( $1\frac{1}{8}"$ ), **KD325** strike plate locating pin.

## HOW TO ORDER

| 73KC   | 7   | AB  | 15   | D          | STK                     | 626                           |  |
|--|---|---|--|------------|-------------------------|-------------------------------|--|
| Backset  | Core Housing  | Function Code   | Lever  | Trim Style | Strike Package          | Standard Finishes             | Options                                      |
| 72KC- 2 3/8"<br>73KC- 2 3/4"<br>74KC- 3 3/4"<br>75KC- 5" | 0- keyless<br>7- 7 pin<br>housing<br>accepts<br>all Best<br>cores | AB- entrance<br>D- storeroom<br>L- privacy<br>N- passage<br>R- classroom<br>Y- exit<br>1DT- dummy<br>trim | 14- curved <br>return<br>15- contour <br>angle return<br>16- curved <br>no return | D- 3 1/2"  | STK-standard<br>S3-ANSI | 605 606<br>612 613<br>625 626 | L8*- drive-in latch<br>SCH**- non-IC schlage |

\* Available on 2 3/8" and 2 3/4" backsets only.

\*\* Available in #15 lever only. Cylinder not included.

## LEVER STYLES & TRIM



#14D 



#15D 



#16D 



#15D Non I/C 

## SHIPPING WEIGHTS

The chart is the approximate shipping weight for the standard 7KC functions locksets. This weight includes the weight of the lockset with the "#15" style lever, "D" style rose, latch, strike package, and box. Listed separately are the approximate weights for "with core" and "less core" shipments.

| LOCK FUNCTION NOMENCLATURE | CASE QUANTITY | SHIPPING WEIGHT- WITH CORE | SHIPPING WEIGHT- LESS CORE |
|----------------------------|---------------|----------------------------|----------------------------|
| Y                          | 9             |                            | 31 lbs.                    |
| N                          | 9             |                            | 40 lbs.                    |
| L,                         | 9             |                            | 40 lbs.                    |
| AB,D,,R,                   | 9             | 42lbs.                     | 40 lbs.                    |



### Best Access Systems

A Division of Stanley Security Solutions, Inc.  
 6161 E. 75th Street Indianapolis, Indiana 46250  
[www.bestaccess.com](http://www.bestaccess.com)

For more information on BEST's full line of security solutions visit our web site at [www.stanleysecuritysolutions.com](http://www.stanleysecuritysolutions.com) or call 1-317-849-2250 for the name of the Stanley Security Solutions office nearest you.

Product information contained in this catalog has been compiled and presented with as much care and completeness as is reasonably possible. Errors or mistakes may be present, and in many cases, reliance has been placed on information supplied by other manufacturers which may be in error or which may be subject to changes or modifications by the manufacturer without notice and without obligation. Therefore, no guarantee can be made or should be assumed or implied with regards to product information contained in this catalog.

Product Warranty – Best Access Systems warrants that all of its products sold under its trade name "BEST" are free of defects in materials, workmanship and operation, normal wear and tear excepted, for a period of three years from the date of sale to the original purchaser.

Concerning Proper Installation: Installation instructions for any Best Access Systems product should be carefully followed for proper operation of the installed product. If improperly installed, malfunction of the product may result.



### Security Solutions

Stanley Security Solutions, Inc.  
 6161 E. 75th Street Indianapolis, Indiana 46250  
[www.stanleysecuritysolutions.com](http://www.stanleysecuritysolutions.com)